



The **R32 Multi-Split system** allows up to four M Series or Mr Slim wall mounted, cassette, ducted or ceiling suspended indoor units of different capacities to be operated from a single outdoor unit. This makes it an economic and efficient answer for multi-room applications, whilst also offering space saving benefits.

Key Features

- Up to four indoor units may be connected to a single outdoor unit
- Energy saving inverter controlled outdoor unit adjusts compressor performance to economically match the demand for heating and cooling
- Units may be added within the capacity of the system as requirements change
- Capacities of indoor units may be mixed to suit individual rooms

Air Conditioning

Product Information

MXZ-F R32
Inverter Heat Pump (3.3-7.2kW)
 Multi-Split Units

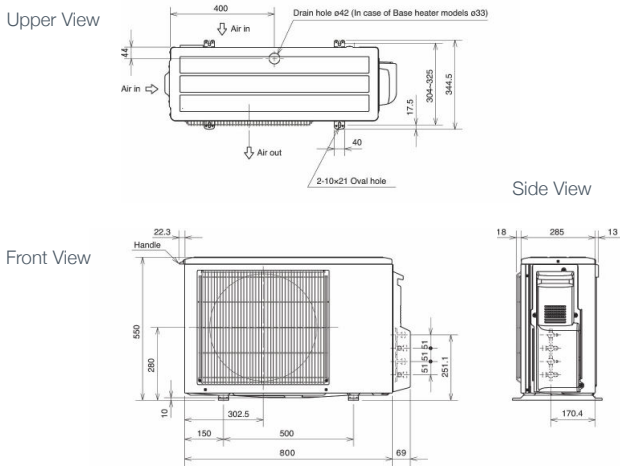
Making a
 World of
 Difference



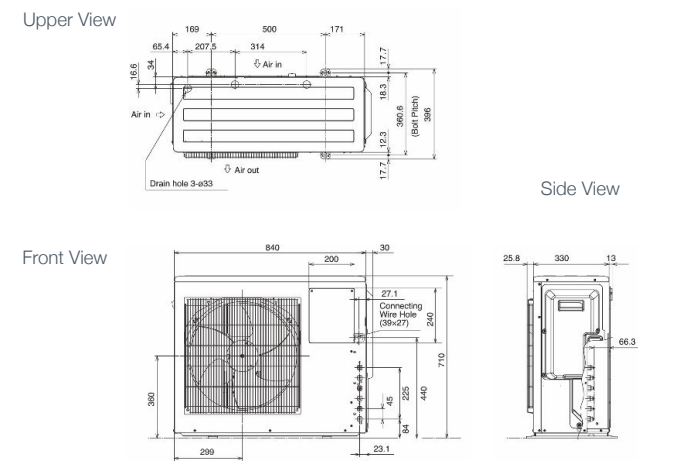
MXZ-F - OUTDOOR UNITS		MXZ-2F33VF	MXZ-2F42VF	MXZ-3F54VF	MXZ-3F68VF	MXZ-4F72VF
NUMBER OF CONNECTABLE INDOOR UNITS		2	2	2 - 3	2 - 3	2 - 4
CAPACITY (kW)	Heating (nominal)	4.0 (1.0-4.1)	4.5 (1.0-4.8)	7.0 (2.6-9.0)	8.6 (2.6-10.6)	8.6 (3.4-10.7)
	Cooling (nominal)	3.3 (1.1-3.8)	4.2 (1.1-4.4)	5.4 (2.9-6.8)	6.8 (2.9-8.4)	7.2 (3.7-8.8)
	Heating (UK)	3.32 (0.83-3.40)	3.74 (0.84-3.99)	5.81 (2.16-7.47)	7.14 (2.16-8.80)	7.14 (2.82-8.89)
	Cooling (UK)	3.23 (1.07-3.72)	4.12 (1.08-4.32)	5.3 (2.85-6.67)	6.66 (2.84-8.23)	7.0 (3.59-8.56)
COP / EER (nominal)**		4.40 / 3.90	5.10 / 4.30	4.60 / 4.10	4.50 / 3.70	4.60 / 3.90
SCOP / SEER (BSEN14825)		4.16 / 6.13	4.60 / 8.69	4.61 / 8.52	4.12 / 7.96	4.07 / 8.13
ErP ENERGY EFFICIENCY CLASS	Heating/Cooling	A+ / A++	A++ / A+++	A++ / A+++	A+ / A++	A+ / A++
	Heating/Cooling	33.7 / 32.9	33.3 / 27.7	43.0 / 42.1	43.0 / 42.1	43.0 / 42.1
MAX AIRFLOW (m³/min)		33.7 / 32.9	33.3 / 27.7	43.0 / 42.1	43.0 / 42.1	43.0 / 42.1
SOUND PRESSURE LEVEL (dBA)	Heating/Cooling	50 / 49	50 / 44	50 / 46	53 / 48	54 / 48
	Cooling	60	59	59	63	63
DIMENSIONS (mm) Width x Depth x Height		800 x 285 x 550	800 x 285 x 550	840 x 330 x 710	840 x 330 x 710	840 x 330 x 710
WEIGHT (kg)		33	37	58	58	59
ELECTRICAL SUPPLY		220-240v, 50Hz	220-240v, 50Hz	220-240v, 50Hz	220-240v, 50Hz	220-240v, 50Hz
PHASE		Single	Single	Single	Single	Single
POWER INPUT (kW)	Heating/Cooling (nominal)	0.909 / 0.846	0.88 / 0.98	1.52 / 1.32	1.91 / 1.84	1.87 / 1.85
	Heating/Cooling (UK)	0.82 / 0.68	0.90 / 0.78	1.38 / 1.06	1.73 / 1.47	1.69 / 1.48
STARTING CURRENT (A)		4.6	4.2	7.0	10.5	10.0
RUNNING CURRENT (A) Heating/Cooling [MAX]		4.6 / 4.3 [10.0]	4.2 / 4.5 [12.2]	7.0 / 5.9 [18.0]	10.5 / 9.6 [18.0]	10.0 / 9.5 [18.0]
INTERCONNECTING CABLE No. CORES		4 Core	4 Core	4 Core	4 Core	4 Core
TOTAL PIPE LENGTH (m)		20	30	50	60	60
MAX PIPE LENGTH PER INDOOR UNIT (m)		15	20	25	25	25
MAX HEIGHT DIFFERENCE (m)		10	15 (10 if OU higher than IU)	15 (10 if OU higher than IU)	15 (10 if OU higher than IU)	15 (10 if OU higher than IU)
CHARGE REFRIGERANT (kg) / CO ₂ EQUIVALENT (t) - R32 (GWP 675)		1.00 / 0.68 (20m)	1.20 / 0.81 (20m)	1.40 / 0.95 (50m)	1.40 / 0.95 (60m)	1.40 / 0.95 (60m)
MAX ADDITIONAL REFRIGERANT (kg) / CO ₂ EQUIVALENT (t) - R32 (GWP 675)		1.00 / 0.68	1.40 / 0.95	2.40 / 1.62	2.40 / 1.62	2.40 / 1.62
FUSE RATING (BS88) - HRC (A)		16	16	25	25	25

Notes: *1 System COP / EER when connected to MSZ-LN / MSZ-AP x indoor unit connections. Combined max running current of all indoors on system must not exceed 3A.
 The SEZ-M25DA cannot be used when the total indoor capacity is equal to the outdoor capacity, i.e. when the capacity ratio is 1. Specification subject to change.

PRODUCT DIMENSIONS MXZ-2F33VF, MXZ-2F42VF



PRODUCT DIMENSIONS MXZ-3F54VF, MXZ-3F68VF, MXZ-4F72VF



Telephone: 01707 282880
 email: air.conditioning@meuk.mee.com
 web: airconditioning.mitsubishielectric.co.uk

UNITED KINGDOM Mitsubishi Electric Europe Living Environment Systems Division
 Travellers Lane, Hatfield, Hertfordshire, AL10 8XB, England General Enquiries Telephone: 01707 282880 Fax: 01707 278881
 IRELAND Mitsubishi Electric Europe Westgate Business Park, Ballymount, Dublin 24, Ireland
 Telephone: Dublin (01) 419 8800 Fax: Dublin (01) 419 8890 International code: (003531)

Country of origin: United Kingdom – Japan – Thailand – Malaysia. ©Mitsubishi Electric Europe 2018. Mitsubishi and Mitsubishi Electric are trademarks of Mitsubishi Electric Europe B.V. The company reserves the right to make any variation in technical specification to the equipment described, or to withdraw or replace products without prior notification or public announcement. Mitsubishi Electric is constantly developing and improving its products. All descriptions, illustrations, drawings and specifications in this publication present only general particulars and shall not form part of any contract. All goods are supplied subject to the Company's General Conditions of Sale, a copy of which is available on request. Third-party product and brand names may be trademarks or registered trademarks of their respective owners.
 Note: The fuse rating is for guidance only. Please refer to the relevant databook for detailed specification. It is the responsibility of a qualified electrician/electrical engineer to select the correct cable size and fuse rating based on current regulation and site specific conditions. Mitsubishi Electric's air conditioning equipment and heat pump systems contain a fluorinated greenhouse gas, R410A (GWP:2088), R32 (GWP:675), R407C (GWP:1774) or R134a (GWP:1430). *These GWP values are based on Regulation (EU) No 517/2014 from IPCC 4th edition. In case of Regulation (EU) No.626/2011 from IPCC 3rd edition, these are as follows: R410A (GWP:1975), R32 (GWP: 550), R407C (GWP:1650) or R134a (GWP:1300).



www.greengateway.mitsubishielectric.co.uk
 Mitsubishi Electric UK's commitment to the environment

- Follow us @meuk_Jes
 Follow us @green_gateway
- Mitsubishi Electric
 Living Environmental Systems UK
- mitsubishielectric2
- thehub.mitsubishielectric.co.uk



Effective as of April 2018