



FDE50VH

5.0kW

Specifications

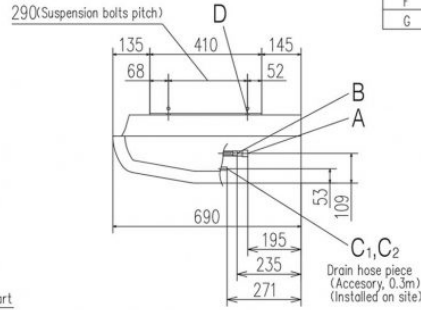
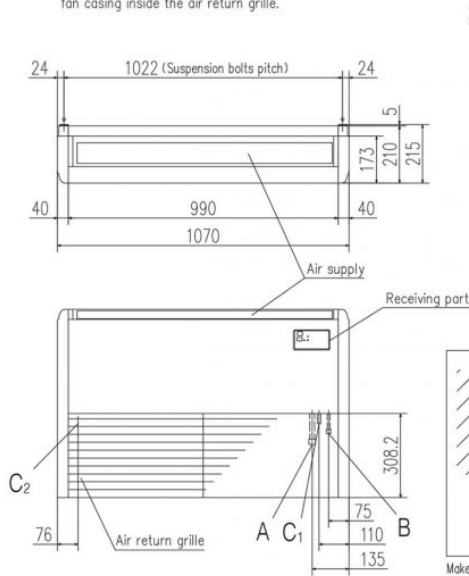
Nominal cooling capacity		kW	5.0
Nominal heating capacity		kW	5.8
Sound power level	Cooling	dB(A)	60
	Heating	dB(A)	60
Sound pressure level	Cooling(Hi/Me/Lo/Ulo)	dB(A)	46 / 38/ 36/ 31
	Heating(Hi/Me/Lo/Ulo)	dB(A)	46 / 38/ 36/ 31
Air flow	Cooling(Hi/Me/Lo/Ulo)	m ³ /min	13.0 / 10.0 / 9.0 / 7.0
	Heating(Hi/Me/Lo/Ulo)	m ³ /min	13.0 / 10.0 / 9.0 / 7.0
Exterior dimensions (H×W×D)		mm	210×1070×690
Net weight		kg	28.0
Refrigerant piping size	Liquid / Gas	mm ø	6.35(1/4") / 12.7(1/2")
Clean filter			Pocket Plastic net × 2 (Washable)

- The data is measured under the following conditions(ISO-T1, H1). Cooling: Indoor temp. of 27°CDB, 19°CWB, and outdoor temp. of 35°CDB. Heating: Indoor temp. of 20°CDB, and outdoor temp. of 7°CDB, 6°CWB.
- Sound level the value in an anechoic chamber. During operation these values are somewhat higher due to ambient conditions.

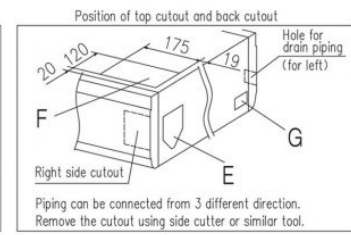
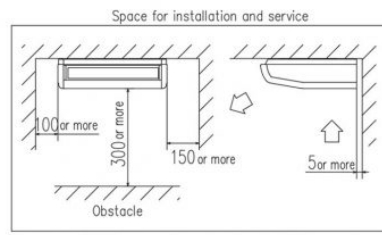
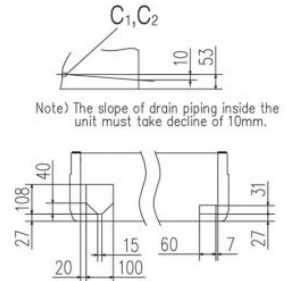
Schematics

Models FDE40VH, 50VH

Note (1) The model name label is attached on the fan casing inside the air return grille.



Symbol	Content
A	Gas piping $\phi 12.7 (1/2")$ (Flare)
B	Liquid piping $\phi 6.35 (1/4")$ (Flare)
C 1,2	Drain piping VP20 (I.D. 20, O.D. 26)
D	Hole for suspension bolts (M10 or M8)
E	Back cutout PE cover
F	Top cutout Plate cover
G	Drain piping (for left back) (Knock out)



Make a space of 4000 or more between the units when installing more than one.